

FACTS | FIGURES | DATA

Pressure retaining valve V 186 · V 86

V 186 V 86



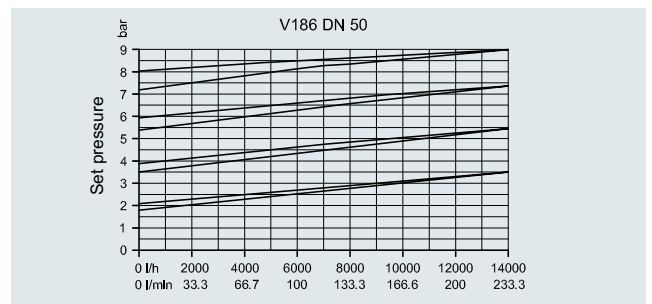
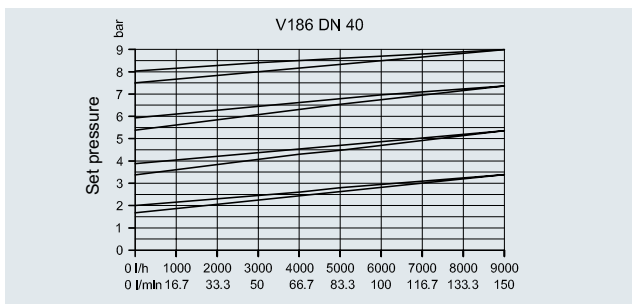
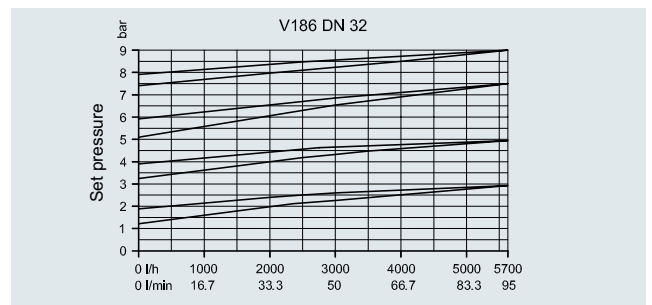
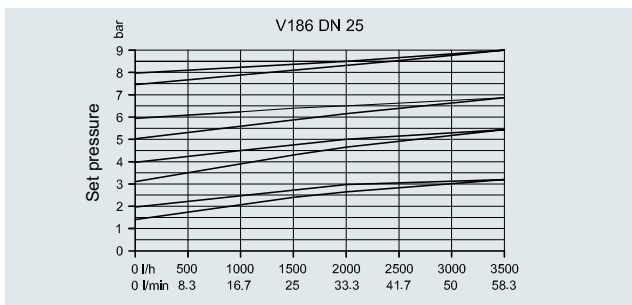
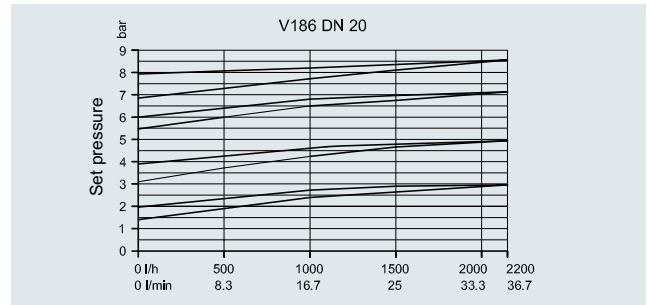
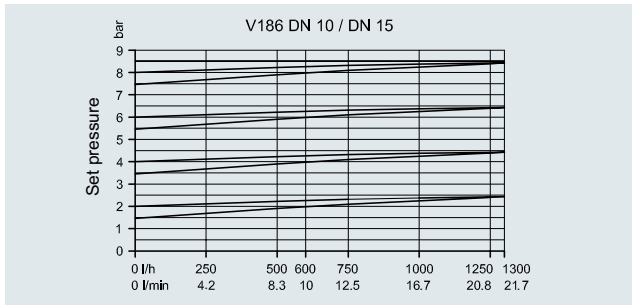
**FRANK**  
PREMIUM-QUALITY PLASTIC



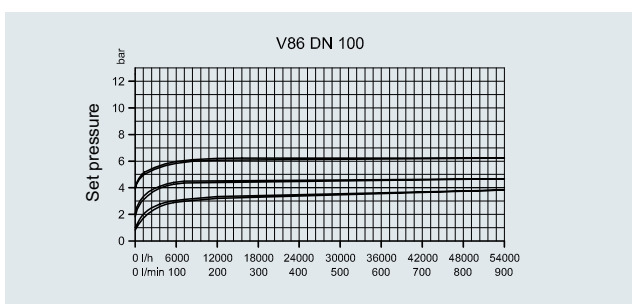
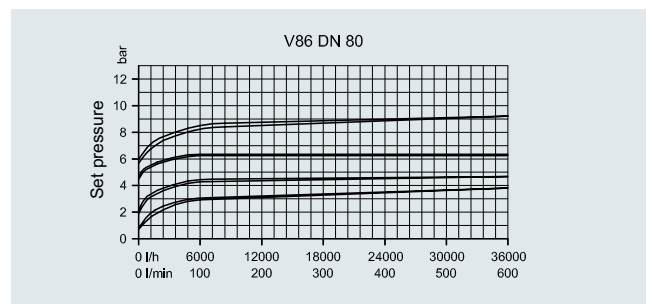
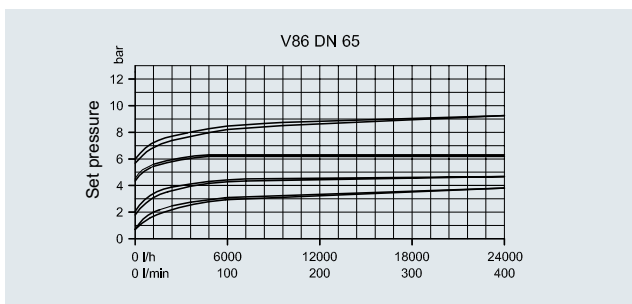




## CHARACTERISTIC GRAPHS V 186



## CHARACTERISTIC GRAPHS V 86



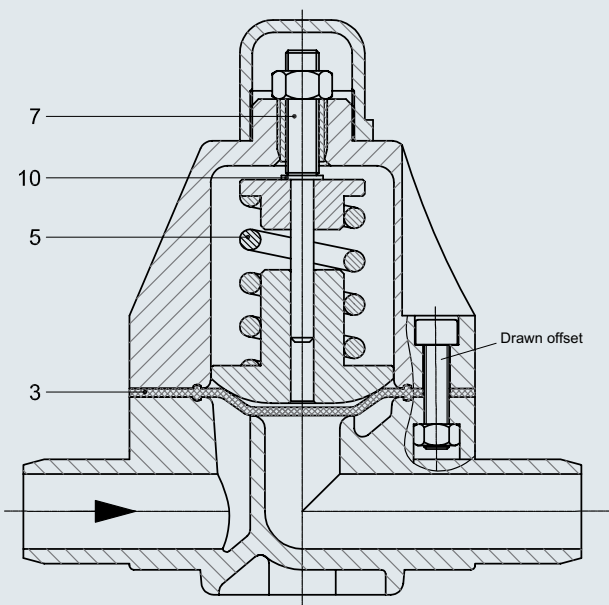
The characteristic curves on the graphs show the increase in the set pressure from 0 through to the maximum permissible flow rate. The upper and lower lines plot the course of the opening and closing pressure respectively. All characteristic curves apply to water at a temperature of 20 °C.

## SPARE PARTS SET FOR V 186 / V 86 PVC-U / PP / PVDF

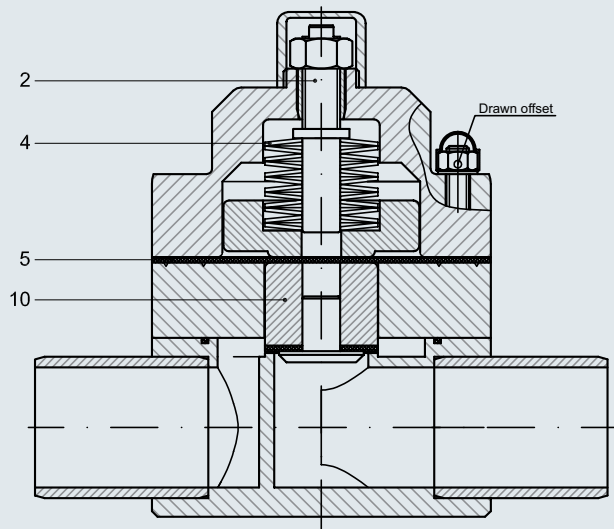
Set consisting of:	Type	DN	PVC/EPDM Article No.	PVC/PTFE Article No.	PP/EPDM Article No.	PP/PTFE Article No.	PVDF/PTFE Article No.
Pos. 3 diaphragm	V 186	10/15/20	17.006.007	17.006.020	17.006.007	17.006.020	17.006.020
Pos. 5 compression ring	V 186	25/32	17.006.008	17.006.021	17.006.008	17.006.021	17.006.021
Pos. 7 adjustment screw	V 186	40/50	17.006.009	17.006.022	17.006.009	17.006.022	17.006.022
Pos. 10 washer							

Set consisting of:	Type	DN	PVC/EPDM Article No.	PVC/PTFE Article No.	PP/EPDM Article No.	PP/PTFE Article No.	PVDF/PTFE Article No.
Pos. 5 diaphragm	V 86	65	17.006.256	17.006.259	17.006.268	17.006.271	17.006.275
Pos. 4 spring assembly	V 86	80	17.006.257	17.006.260	17.006.269	17.006.272	–
Pos. 2 adjustment screw	V 86	100	17.006.258	17.006.261	17.006.270	17.006.273	–
Pos. 10 piston, complete							

V 186



V 86



**PRESSURE RETAINING VALVE V 186**

